

MS7002SSL-MDV-EW

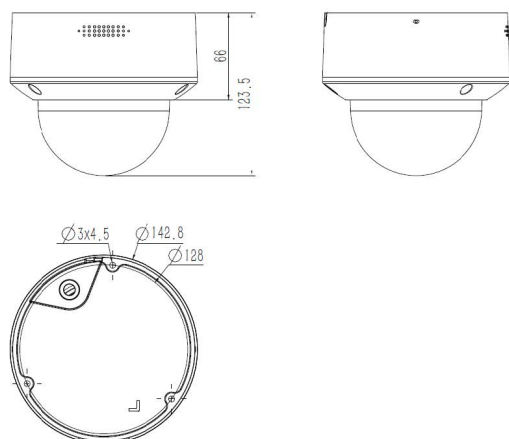
2MP Super Starlight Motorized IR Vandalproof Dome Camera



Features

- Super Starlight Ultra Low Light 0.0004lux
- Up To 1080P, 1920x1080@30fps, 1280x720@60fps
- S+265、H.265/H.264 HP/MP/BP/M-JPEG Codec
- Support perimeter alert and tripwire alert, Person-vehicle separation
- VCA Tripwire/Double Tripwire/Perimeter/Object Abandon/Object Lost/Running/Loitering/Parking/Early Warning/Crowd/People counting/Face detection/Audio Abnormal Detection/Video Abnormal Detection
- Support P2P ,the APP support setting up alert, alert plan and line drawing, uploading customized alert sounds
- Mechanical WDR 140dB
- NIR, WDR, 3D DNR, HLC, Dual-ICR, AWB, AGC
- Interface Built-in Speaker&mic, Audio in/out 1/1, Alarm in/out 2/1, MicroSD Card Slot, up to 128GB, USB Storage up to 128GB ,Reset Button,RS485
- TVS 6000V, Lightning/Surge Protection: (Power 2000V, RJ45 1000V), IP66
- Operating Conditions -30℃ ~ 65℃ (IR Off), -30℃ ~ 40℃ (IR on) ,0 ~ 95% RHG
- CE, FCC

Dimensions



Camera	
Image Sensor	1/2.8" CMOS
Core Processor	ARM9 Architecture
Operating System	Embedded Linux
Signal System	PAL/NTSC
Min. Illumination	Color: 0.0004 Lux @(F1.2, AGC ON)
Shutter Time	1s to 1/100000s
Lens	2.8~12mm, Angle of View: 36.5°~95.7°
Lens Mount	φ 14
Auto Iris	DC
Day& Night	IR Cut Filter with Auto Switch
Wide Dynamic Range	140 dB
Digital Noise Reduction	3D DNR
Compression Standard	
Video Compression	S+265/H.265/H.264 HP/MP/BP/M-JPEG
Encode Type	High Profile/Main Profile/Base Line Profile
Video Bit Rate	32Kbps~16Mbps
Audio Compression	G.711A/G.711U/ADPCM/AAC
Audio Bit Rate	G711 8KHz, 64kbps ADPCM 8KHz, 32kbps AAC 48KHz, 96-320kbps
Image	
Max. Image Resolution	1920x1080
Frame Rate	50Hz: 1080p@25fps, 960p@25fps, 720p@50fps 60Hz: 1080p@30fps, 960p@30fps, 720p@60fps
Triple Stream	Mainstream:1080P(1920*1080) Substream:D1(704*576) 3rd Stream:D1(704*576)
Image Settings	Brightness, Saturation, Contrast, Flip Mode Adjustable by Client Software or Web Browser
HLC	Y
Smart Defog	Y
Corridor Format	Y, Available for 720P and Above
ROI	7 Dynamic Areas for Both Main and Sub Stream
Picture Overlay	200 x 200, BMP 24bit, Zone Configurable
OSD	16x16, 32x32, 24x24, 48x48, 64x64, 96x96 Size Letters Such as Week, Date, Time, Total 5 Regions
Network	
Browser	IE8,IE9,IE10,IE11,Firefox24
Network Storage	FTP
NTP	Y
ANR	Y, Auto store video in SD card when NVR disconnected, and upload video to NVR when resumed connection(Only Support MoviSight ANR NVR)
Video Analytics	Tripwire/Double Tripwire/Perimeter/Object Abandon/Object Lost/Running/Loitering/Parking/Early Warning/Crowd/People counting/Face detection/Audio Abnormal Detection/Video Abnormal Detection
EW	Support perimeter alert and tripwire alert, Person-vehicle separation
Alarm Trigger	Motion Detection/IP Conflict/MAC Conflict/Mask Alarm/Memory full/Memory exception
Protocols	TCP/UDP/HTTP/UPnP/DHCP/PPPoE/DDNS/NFS/FTP/NTP/RTSP/IPV6/SNMP/SMTP/GoS/HTTPS(customized)
User Permission	4 Level/8 Users
Remote Connection	7 Users Access at the Same Time
System Compatibility	ONVIF (Profile S), SDK, P2P
Interface	
Audio Input	1-ch, Built-in Mic
Audio Output	1-ch, Built-in Speaker
Communication Interface	1-ch RJ45 10M / 100M ethernet interface
Alarm Input	2-ch
Alarm Output	1-ch
Video Output	N/A
On-board Storage	MicroSD Card Slot, up to 128GB
Extension	USB, RESET, RS485
General	
Language	English, Spanish, Korean, Italian, Turkish, Thai, Russian, Traditional Chinese, Polish
Operating Conditions	-30℃~65℃ (IR Off), -30℃~40℃ (IR on) , 0~95% RHG
Power Supply	DC12 V ± 20%, PoE (802.3af)
Power Consumption	12.35W
Circuit Protection	TVS 6000V, Lightning/Surge Protection: (Power 2000V, RJ45 1000V)
IR Light	14 pcs
White Light	4 pcs
Impact Protection	IP66
Dimensions	142.8*142.8*123.5mm
Weight	0.9KG (Camera Only); 1.2KG (with Packing Box)

For more information, please visit www.movisight.com