

MS-7IPV8540HDAW-B

4 MP Full Color Vision Turret Network Camera

Key Features

- 1/1.8" progressive scan CMOS
- Max. 4MP(2688×1520) @25/30fps resolution
- Support face, human, vehicle detection and capture
- Intelligent analytics: intrusion, single line crossing, double line crossing, loitering, wrong-way and people counting
- True WDR, 3D DNR, ROI, HLC, BLC, Defog
- Built-in warm lights, illumination distance up to 40m
- 1/1 audio in/out, 1/1 alarm in/out
- Built-in microphone and SD card slot
- Support 12VDC/0.25A power output
- IP66



Specification

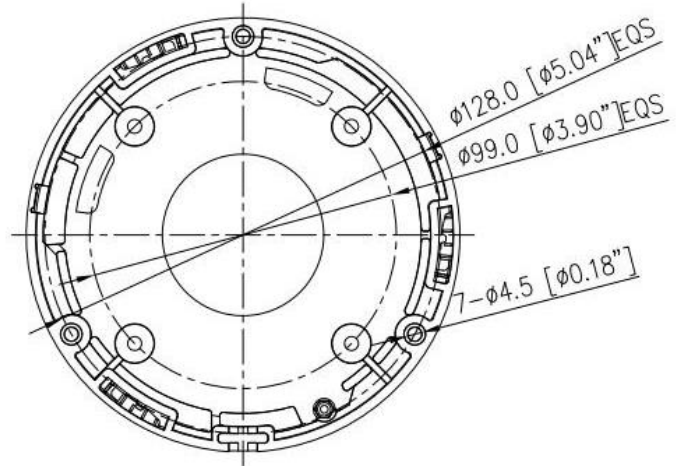
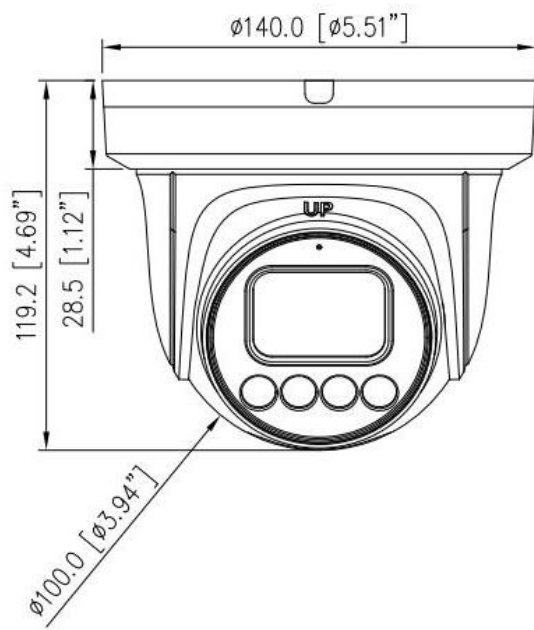
Camera					
Image Sensor	1/1.8" Progressive Scan CMOS				
Max. Resolution	4MP (2688×1520)				
Electronic Shutter	Auto/Manual, 1/5 to 1/50,000s				
Min. illumination	Color: 0.0001 Lux @ (F1.0, AGC ON), 0 Lux with warm-light ON				
Day & Night	Fixed filter				
Angle Adjustment	Pan: 0° to 355°, Tilt: 0° to 80°, Rotation: 0° to 360°				
Lens					
Lens Type	Fixed focus				
Iris	Fixed Iris				
Focal Length	2.8 mm and 4 mm optional				
F Number	F1.0				
Field of View	2.8 mm, H: 112.4°, V: 61.2° 4 mm, H: 95.6°, V: 50.6°				
DORI					
	Lens	Detect	Observe	Recognize	Identify
DORI Distance	2.8 mm	56 m (183.7 ft)	22.4 m (73.5 ft)	11.2 m (36.7 ft)	5.6 m (18.4 ft)
	4 mm	65 m (213.3 ft)	26 m (85.3 ft)	13 m (42.7 ft)	6.5 m (21.3 ft)
Illuminator					
Illuminator Type	Warm light				
Illumination Range	Up to 40m (131.2ft)				
Illumination On/Off Control	Auto/Manual				
Video					
Streaming Capability	3 Streams				
Stream/Frame Rate	Stream1: 2688×1520, 2560×1440, 2304×1296, 1920×1080, 1280×720 @25/30fps Stream2: D1, VGA, CIF @25/30fps Stream3: VGA, CIF, QVGA @25/30fps				
Bit Rate Control	CBR/VBR				
Bit Rate	Stream1: 200kbps to 12Mbps Stream2: 100kbps to 6Mbps Stream3: 100kbps to 3Mbps				
Region of Interest	Off/On (8 areas, Rectangle)				
Smart Encode	Support				
Audio					
Compression	G.711, RAW_PCM				
Bit Rate	64Kbps (G.711), 128Kps (RAW_PCM)				
Image					
Image Adjustment	Brightness, Sharpness, Contrast, Saturation adjustable				
Aisle Mode	Support				
Mirror	Support				
White Balance	Auto/Manual				

MoviSight

Day/Night Setting	Auto, Day, Night, Time
Noise Reduction	2D/3D DNR
Image Enhancement	HLC, BLC, Defog
Wide Dynamic Range	True WDR
S/N Ratio	55dB
Privacy Masking	4 areas
Smart Function	
Multi-Object Detection	Supports face, human, vehicle detection and capture
Intelligent Analytics	Intrusion, Single line crossing, Double line crossing, Loitering, Wrong-way Support alarm triggering by specified target types (human and vehicle)
People Counting	Support
Basic Events	Disk alarm, Network alarm, I/O alarm, Motion detection alarm, Abnormal sound detection
Network	
Protocols	IPv4/IPv6, RTSP/ RTCP/RTP, TCP/UDP, HTTPS, DHCP, DNS, DDNS, PPPoE, UPnP, ICMP, IGMP, FTP, NTP, SMTP, 802.1x, SNMP
Interoperability	ONVIF, SDK
Streaming Method	Multicast
Max. User Access	10 Users
Web Viewer	<IE11, Chrome, Firefox, Microsoft Edge
Language	English, Chinese, Polish, Italian, Portuguese, Spanish, Russian, French, Czech, Hungarian. Default: English
Interface	
Network Interface	1 Ethernet (10/100 Base-T) RJ-45 Connector
Audio Interface	1ch Input, 1ch Output
Built-in Microphone	Support
Alarm Interface	1ch Input, 1ch Output
Reset Button	Support
SD Card Slot	Built-in, up to 1TB
Power Output	12VDC/0.25A output
Electrical	
Power Supply	DC12V (-15% to +25%)/PoE (IEEE 802.3af)
Power Consumption	Max. 7.5W
Operating Temperature	-40°C to 55°C (-40°F to 131°F)
Operating Humidity	Less than 90% RH
Ingress Protection	IP66
Certifications	CE/FCC
Casing	Metal + Plastic
Dimensions	φ140 × 119.2 mm (5.51 × 4.69 inch)
Net Weight	0.9 Kg (1.98 lb)

MoviSight

Dimensions (mm)



Accessories

Optional:



MS-7CBK645D
Junction Box



MS-7CBK206
Pendant Cap



MS-7CBK402
Pendant Mount



MS-7CBK501
Wall Mount



MS-7CBK502
Wall Mount



MS-7CBK101
Pole Mount



MS-7CBK102
Corner Mount