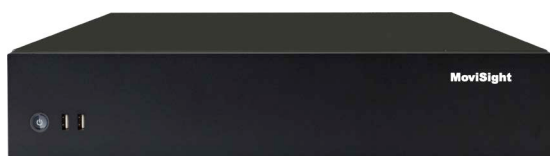


MS72821-03A/V

3 Bay Dedicated Network Video Recorder



Features

Excellent Video Transmission

- MSWTP protocol for 4G / satellite transmission, improves the video stream continuity under unstable network conditions
- H.265 video codec / Virtual channel, saves up to 50% bandwidth and storage

High-performance, High-capacity

- H.265 supported
- 4 x 4K@30fps / 16 x 1080p@30fps video decoding capability
- Up to 32 channels
- Up to 320Mbps incoming bandwidth
- 256Mbps output bandwidth
- 64 user access simultaneously
- Max. 3 HDDs up to 6TB storage

High Protection

- Anti-Salt / Moisture-Proof / Fungus-Proof / HDD Shock-proof

High reliability

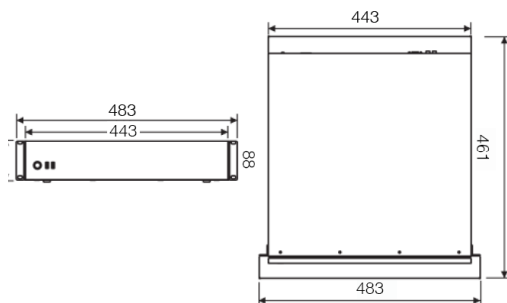
- Embedded Linux
- Low power consumption
- Supports Automatic Network Replenishment (ANR)
- Supports Packet Loss Recovery (PLR)
- N+1 Hot Backup

Abundant functions and features

- HDMI/VGA simultaneously output different content
- E-Map, TV-Wall supported
- Bi-directional audio, Broadcasting
- NAT, Socks5
- Alarm management
- Free CMS (NVR Station), supports 128 NVR simultaneously
- CMS supports 6 screens simultaneously (4 x Live viewing, 1 x E-Map, 1 x TV-Wall)

Dimensions

Units:mm



Specifications

	MS72821-03009A/V	MS72821-03016A/V	MS72821-03032A/V
Video/Audio Input			
IP Camera Input	9 channel	16 channel	32 channel
Resolution	8MP(4K), 6MP, 5MP, 4MP, 3MP, 1080p, UXGA, 960p, 720p, XGA, SVGA, D1, CIF, QCIF		
Compression	H.265 / H.264		
Protocols	Onvif, RTSP, MoviSight		
Bitrate	64kbps ~ 16384kbps		
Incoming Bandwidth	90Mbps	160Mbps	320Mbps
Live Viewing			
Local Display	1 x HDMI, 1 x VGA, simultaneously output different content		
Multi Screen Display Local monitor (Main / Secondary):	1, 3, 4, 9, 1+4, 1+8, 1/1, 2/1, 4/1, 1+4/1	1, 3, 4, 9, 15, 16, 1+4, 1+8, 1+9, 1+15, 1/1, 2/1, 4/1, 9/1, 15/1, 16/1, 1+8/1, 1+9/1, 1+15/1, 4/9, 9/4, 9/9	1, 3, 4, 9, 15, 16, 25, 36, 1+4, 1+8, 1+9, 1+15, 1/1, 2/1, 4/1, 9/1, 15/1, 16/1, 36/1, 1+4/1, 1+8/1, 1+9/1, 1+15/1, 4/9, 9/4, 9/9, 16/16
Multi Screen Display Client	up to 4 screens simultaneously: 1, 3, 4, 9, 12, 16, 20, 25, 30, 36, 42, 49, 56, 63, 64 1+5, 1+7, 1+8, 1+9, 1+11, 1+12, 1+13, 1+15, 1+16, 1+33, 1+47, 1+48		
E-Map Function	Live Viewing in E-Map (NVR Station)		
Recording	E-PTZ / Scheme / Polling / TV-Wall (optional with decoder) / Virtual channel		
Resolution	8MP(4K), 6MP, 5MP, 4MP, 3MP, 1080p, UXGA, 960p, 720p, XGA, SVGA, D1, CIF, QCIF		
Mode	Manual / Continuous / Schedule / Event (Pre / Post)		
Event Trigger	Supported		
Tag	Supported		
Reliability	Automatic Network Replenishment (ANR)		
Search & Playback			
Search Mode	Date and time (Calendar) / Event		
Resolution	8MP(4K), 6MP, 5MP, 4MP, 3MP, 1080p, UXGA, 960p, 720p, XGA, SVGA, D1, CIF, QCIF		
Playback (Local Monitor)	4 x 4K@30fps / 9 x 1080p@30fps		
Playback (Client)	4 x 4K@30fps / 16 x 1080p@30fps up to 16 x 4K@30fps		
Synchronize Playback (Local Monitor)	4 x 4K@30fps / 9 x 1080p@30fps		
Synchronize Playback (Client)	4 x 4K@30fps		
Function	Slow forward / Fast forward / Loop / Single frame / E-PTZ / Slice playback		
Storage			
Max. Internal HDDs	3 x 2.5" HDD		
RAID	Max. 6TB (up to 2TB/each) RAID 0/1/5 (optional)		
External	IPSAN (iSCSI), up to 10 x IPSAN, Max. 100T (optional)		
Function	e-SATA Disk group / Quota / Disk dormancy		
Audio			
Compression	G.711a / G.711u / ADPCM / G.722 / G.722.1c / AAC-LC		
Bit rate	32kbps ~ 64kbps		
Audio Function	Bi-directional audio / Dumb / Mute / Broadcasting		
Alarm			
Service Alarm Triggers	Alarm input / Video lost / Motion detection / Tampering / Guard line / Defocus / Scene change / Enter guard area / Exit guard area / Object left / Object removal / Gathering / Audio surge		
System Alarm Triggers	Device disconnected / No disk / Disk error / IP Address conflict / Network disconnected / Low speed / Insufficient recording space / MAC address conflict / Insufficient snapshot space		
Alarm Events	Snapshot / Recording / PTZ preset / Buzzer / Email / Link to Client / Alarm caption / Live view in first window / Link to TV Wall / Link to secondary screen / Full screen viewing		
System			
Operating System	Embedded Linux		
User Management	Admin / User		
Log Management	User login / User operation / Alarm / Backup / Update		
Application Programming	NVR Station SDK		
Network			
Network Protocols	TCP/IP, UDP, HTTP, DHCP, DNS/DDNS, RTP/RTCP, RTSP, PPPoE, FTP, SNMP, VSIP, UPNP, SMTP, IPv4, IPv6 (optional), KWTP		
Viewer Software	CMS (NVR Station) / Web / iOS app / Android app		
Max. User Access	64 Users		
Output Bandwidth	256Mbps		
Function	NAT / Socks5 / Multiple network access / Packet loss recovery / Auto network organizing		
Network Test	Supported		
Hot Backup	N+1		
Interfaces			
Ethernet	2 x Gigabyte network port, RJ45 interface		
Video Out	1 x HDMI (up to 3840 x 2160@60Hz) 1 x VGA (up to 1920 x 1080@60Hz)		
Audio In / Out	1 x RCA Line in / 1 x RCA Line out		
Alarm In / Out	2 x Inputs / 2 x Outputs		
Control	2 x RS485		
USB	2 x USB 2.0 1x USB3.0		
e-SATA	1 x e-SATA		
Environmental			
Operating Temperature	-10°C ~ 55°C / 14°F ~ 131°F		
Operating Humidity	10% ~ 90%		
Protection Level	Anti-Salt / Moisture-Proof / Fungus-Proof / HDD Shock-proof		
Electrical			
Power	100 ~ 240V AC, 50 ~ 60Hz		
Power Consumption	Max. 15W (HDD not included)		
Mechanical			
Weight	7.6kg / 16.72lb (HDD not included)		
Dimensions	443 x 461 x 88mm / 17.44" x 18.15" x 3.46"		