

MoviSight

Dual-Spectrum PTZ Network Camera MS-7PT6S4 Series



Product Feature

- Clearer imaging with the latest 12 μ m uncooled infrared detector and leading infrared image algorithm.
- Visual and thermal dual-spectral and 1.3MP high-definition imaging to satisfy 24/7 security monitoring.
- Support 30~150mm, 25~225mm continuous zoom infrared lens to satisfy long-distance detection
- Support intelligent behavior analysis, such as tripwire detection and region intrusion detection.
- Support intelligent smoke and fire detection and infrared video analysis to meet the requirement of forest fire prevention and intelligent firefighting.
- Integrated with high-speed and high-accuracy PT, encapsulation rating IP66
- Support ONVIF, GB28181 standard protocols, provide SDK, matched NVR and VMS Software

Camera Specifications

Technical Index		MS-7PT6S4		
Thermal	Sensor Type	VOx uncooled FPA detector		
	Spectral Range	8~14μm		
	NETD	≤40mK(@25°C,F#1.0,25Hz)		
	Max. Resolution	1280×1024		
	Pixel Pitch	12μm		
	Focal Length	30~150mm	25~225mm	
	Focus Mode	Auto/Manual/One-shot Auto		
	FOV	28.7° × 23.1° ~5.9° × 4.7°	34.2° × 27.6° ~3.9° × 3.1°	
	F#	F1.0~F1.2	F1.09~F1.5	
	Spatial Resolution	0.080~0.400mrad	0.053~0.480mrad	
	Color Palettes	20 kinds selectable such as Blackhot/Whitehot/Rainbow,etc.		
Visible	Image sensor	1/1.8inch 4MP CMOS		
	Max. Resolution	2688×1520		
	Focal Length	15~775mm		
	Focus Mode	Auto / Manual / One-shot auto		
	FOV	29.1°×16.7°~0.5°×0.3°		
	WDR	Support		
	Day /Night	Manual/Auto		
PTZ	Defog	Support optical defog		
	Pan Range	360° continuous		
	Pan Speed	0.01°~120°/s		
	Tilt Range	-90°~+90°		
	Tilt Speed	0.01°~60°/s		
Network	Scan Mode	Preset/Tour/Patrol Scan/Linear Scan/Pattern Scan		
	Protocols	TCP/IP,UDP,ICMP,HTTP,HTTPS,FTP,DHCP,DNS,RTP,RTSP,R TCP, IGMP,SMTP, NTP, QoS		
	Interoperability	ONVIF/GB28181/SDK		
	Simultaneous live view	Up to 20 channels		
Video	User Management	Up to 20 users, 2 levels: Administrator and User		
	Browser	Support IE+, support multilingual		
	Max. Resolution	2688×1520(visible), 1280×1024 (thermal)		
	Image Encoding Format	JPEG		
	Audio Compression	G.711A/G.711Mu/PCM/AAC/MPEG2-Layer2		
Video Compression	Video Compression	H.264/H.265/MJPEG		
	Main Stream	Visible: 50Hz:25fps(2688×1520,1920×1080,1280×720) 60Hz:30fps(2688×1520,1920×1080,1280×720) Thermal: 50Hz:25fps(1280×1024,1280×720,1024×768)		

Technical Index		MS-7PT6S4
	Sub Stream	Visible: 50Hz:25fps(1920×1080,1280×720,704×576,352×288) 60Hz:30fps(1920×1080,1280×720,704×480,352×240) Thermal:: 50Hz:25fps(640×512,384×288)
Smart Function	Fire Detection	Support
	Zoom Linkage	Support
	Smart Record	Alarm trigger recording, disconnection trigger recording (continue transmission after connection)
	Smart Alarm	Support alarm trigger of network disconnection, IP address conflict, SD card full, SD card error, illegal access, abnormal detection
	Smart Detecting	Support smart video analysis such as tripwire, cross-border, and region intrusion
	Alarm Linkage	Recording/Snapshot/E-mail/PTZ linkage/Alarm output
System Interface	Power Supply	DC 48V±15%
	Communication Interface	RJ45 self-adaptive 10M / 100M Ethernet port
	Audio Interface	1 channel input, 1 channel output
	Alarm Interface	7-channel input, 2-channel output
	Storage Interface	Support Micro SD card (Max. 256G)
	Control Interface	1-channel RS485
General	Operating Conditions	-40℃~+70℃; <90%RH
	Protection Grade	IP66 , TVS 6000V Lightning Protection, Surge Protection and Voltage Transient Protection Conform to GB/T17626.5 Grade-4 Standard
	Power Consumption	Max.200W
	Dimension	598mm×738mm×468mm(W×H×L)
	Weight	48KG

Operating Distance

The recommended distance of detecting, recognizing and identifying for human (1.8×0.5m) and vehicles (1.4×4.0m) are as follows:

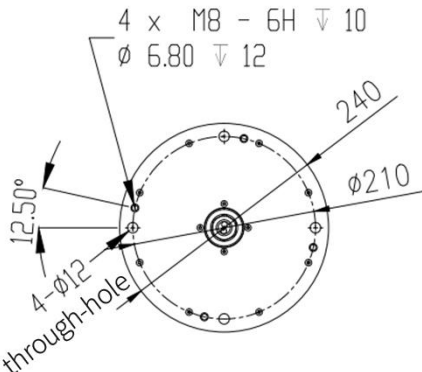
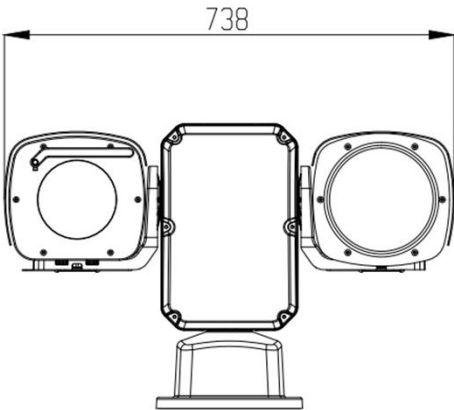
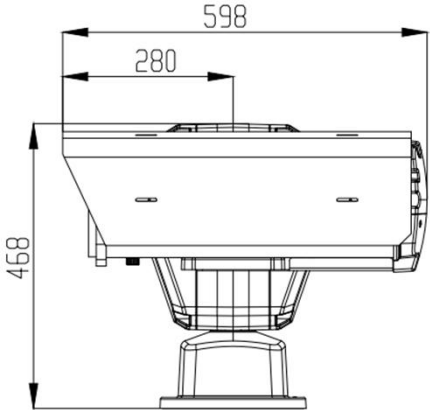
DD stands for Detecting Distance;

RD stands for Recognizing Distance;

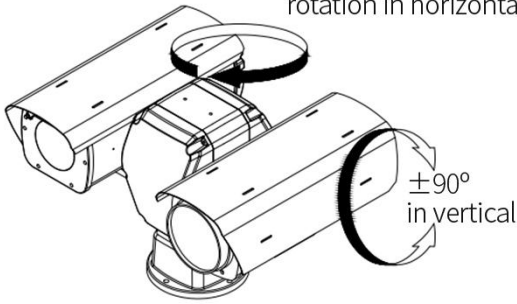
ID stands for Identifying Distance;

Lens	DD	DD	RD	RD	ID	ID
	(Vehicle)	(Human)	(Vehicle)	(Human)	(Vehicle)	(Human)
150mm	19.2km	6.3km	4.8km	1.6km	2.4km	0.8km
225mm	28.8km	9.4km	7.2km	2.3km	3.6km	1.2km

Camera Structure and Dimensions



360° continuous rotation in horizontal



470mm: PTZ turning radius is about 470mm