

# MoviSight

## MS-7463SSLD-PTZ-ATEW 4MP 63× Super Starlight IR Laser AEW AI PTZ Camera



### KEY FEATURES

- 1/1.8" CMOS Sensor
- Up to 4MP 2560x1440@30fps
- Optical zoom: 63×, digital zoom 16×
- Min. illumination Color: 0.001Lux@F1.6
- Smart IR, IR Range: 300m
- Laser Distance: 500m
- Built-in Speaker
- Built-in Wiper
- Built-in Electronic Compass
- S+265/H.265/H.264/M-JPEG
- Monitoring/Intelligent Monitoring/ Face Capture mode
- Auto-tracking Early Warning (AEW)
- Support Laser Point
- Alarm 8 in and 2 out, Audio 1 in and 1 out
- Plugin Free
- IP66
- DC36V±25%, POE++(IEEE802. bt)

# MoviSight

## SPECIFICATIONS

### Camera

Image Sensor	1/1.8" CMOS
Signal System	PAL/NTSC
Min. Illumination	Color: 0.001lux@ (F1.6, AGC ON), B/W:0.0001lux@ (F1.6, AGC ON), 0lux with IR
Shutter Time	1s to 1/100,000s
Day & Night	IR Cut Filter with Auto Switch
Optical Zoom	63X
Digital Zoom	16X

### Lens

Focal Length	5.7-359mm
Zoom Speed	<7s
Field of View	Horizontal filed of view: 60° (w)~1.54° (t) , Vertical filed of view: 35.5° (w)~0.87° (t), Diagonal field of view:67.5°(w)~1.77(t)
Aperture Range	F1.6~F5.0
Focus Control	Auto/Manual
Iris Control	Auto
Close Focus Distance	1 m~3 m

### Pan&Tilt

Pan Range	360°
Pan Speed	Pan Manual Speed: 0.1°~200°/s, Pan Preset Speed: 240°/s
Tilt Range	-21°~90° (Default -13°~90°)
Tilt Speed	Tilt Manual Speed: 0.1°~180°/s, Tilt Preset Speed: 180°/s
3D Position	Yes
Preset	500
Preset Accuracy	±0.1°
Cruise	16, up to 32 presets per cruise
Scan	8
Pattern	8, each with 600s memory or 1000 orders
Scheduled Task	Preset, Cruise, Scan, Pattern, Alarm output
Park Action	Yes
Power-off Memory	Yes
Preset Freezing	Yes

### Illuminator

IR LEDs	11
IR Distance	Up to 300m
IR Irradiation Angle	Adjustable by Zoom
White LEDs	2, support white/blue/red light flash
Laser	6, Wavelength 850nm
Laser Distance	Up to 500m

### Compression Standard

Video Compression	S+265/H.265/H.264 (High profile, Main profile, Baseline)
Video Bit Rate	32Kbps~16Mbps
Audio Compression	G.711A/G.711U/ADPCM_D/AAC_LC
Audio Sampling Rate	8K~48Kbps

### Image

Max. Resolution	4MP (2560x1440)
Main Stream	PAL: 25fps(2560x1440,2304x1296,1920x1080,1280x720) NTSC: 30fps(2560x1440,2304x1296,1920x1080,1280x720)
Sub Stream	PAL: 25fps(704x576,704x288,352x288,640x360) NTSC: 30fps(704X480,704X240,352X240,640x360)
Third Stream	PAL:25fps(704x576,704x288,352x288,640x480) NTSC: 30fps(704X480,704X240,352X240,640x480)
BLC	Yes
HLC	Yes
WDR	TWDR,,only in monitoring mode

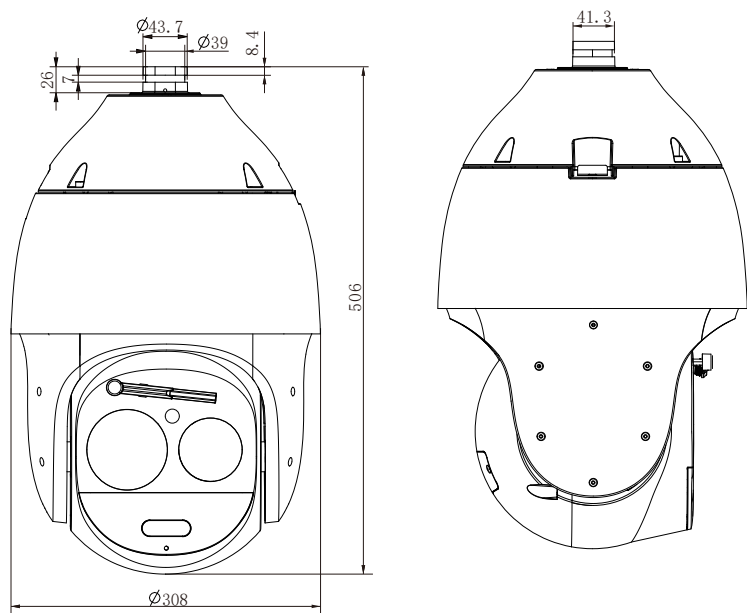
# MoviSight

<b>Image Stabilization</b>	EIS,only in monitoring mode
<b>Fog</b>	Digita
<b>White Balance</b>	Auto/Semi-auto/Manual/Sunny/Natural light/Warm light/Sodium lamp/Incandescent lamp/Locked white balance
<b>AGC</b>	Yes
<b>Noise Reduction</b>	2D/3D
<b>ROI</b>	7 Dynamic Areas for Both Main and Sub Stream, support 1 auto-tracking ROI
<b>Picture Overlay</b>	Yes
<b>Privacy Mask</b>	Yes
<b>Smart Defog</b>	Yes
<b>Image Setting</b>	Saturation, brightness, contrast, sharpness, adjustable by client software or web browser
<b>Flip</b>	Yes
<b>OSD</b>	16x16, 24x24,32x32, 48x48, 64x64,96x96, adaptable size, Letters such as Week, Date, Time, Total 5 Regions
<b>Feature</b>	
<b>Alarm Trigger</b>	Event Input, Event Output, Motion Detection, Mask Alarm, Disk Full, Disk R/W Error, IP Address Conflict, MAC Address Conflict, FTP Server Exception
<b>Video Analytics</b>	Tripwire, Double Tripwire, Perimeter, Object Abandon, Object Lost, Loitering, Running, Parking, Heatmap, Crowd, People Counting, On Duty Detection, Safety Helmet Detection,Video Abnormal, Audio Abnormal
<b>Early Warning(EW)</b>	Three level,Voice warning support 35 voice messages; Laser driven away; Three-light flash warning
<b>Auto-Tracking</b>	Yes
<b>Face Detection and Analytics</b>	
<b>Operating Mode</b>	Face capture, intelligent monitoring optional, default intelligent monitoring
<b>Face Detection Performance</b>	Detects up to 32 faces at the same scene
<b>Face Exposure Brightness</b>	Default 35, 1~100 brightness optional
<b>Min. Face Pixel</b>	Default 80, 19~2560 optional
<b>Network</b>	
<b>Protocols</b>	TCP/HTTPS/DHCP/DNS/DDNS/EasyDDNS/NTP/SMTP/UpnP/802.1X/QoS/IPv4/IPv6/UDP/PPPOE/SSL/SNMP/Unicast/Multicast
<b>System Compatibility</b>	ONVIF (PROFILE S/T/G/M),SDK,CGI,RTSP
<b>ANR</b>	Auto store video in SD card when NVR disconnected, and upload video to NVR when resumed connection (Only Support MoviSight ANR NVR)
<b>Remote Connection</b>	4
<b>User/Host</b>	Up to 32 users. 4 user levels
<b>Web Version</b>	web6
<b>Interface</b>	
<b>Communication Interface</b>	1 RJ45 10M/100M self adaptive Ethernet port
<b>Audio I/O</b>	1/1
<b>Alarm I/O</b>	8/2
<b>Built-In Speaker</b>	Yes
<b>Reset Button</b>	Yes
<b>On-board storage</b>	Built-in Micro SD card slot, up to 512 GB
<b>RS-485</b>	Yes
<b>BNC</b>	Yes(Debugging use)
<b>Wiper</b>	Yes
<b>Electronic Compass</b>	Yes
<b>GPS/BDS</b>	N/A
<b>General</b>	
<b>Protection</b>	IP66 , TVS 6000V lightning protection, surge protection and voltage transient protection
<b>Web Client Language</b>	17 languages Simplified Chinese / traditional Chinese / English / Spanish / Italian / Korean / Turkish / Russian / Thai / Polish / French / Dutch / Hebrew / Vietnamese / Arabic / German / Ukrainian
<b>Operating Conditions</b>	-40°C~70°C (IR OFF), -40°C~40°C (IR ON), 0-95%RH
<b>Power Supply</b>	DC36V±25%/POE++(IEEE802.3 bt)
<b>Power Consumption</b>	37W (IR OFF), 62W (IR ON )
<b>Heater</b>	Yes
<b>Material</b>	ADC12
<b>Package/Boundary Dimensions</b>	Φ445x700mm (Φ308x506mm)
<b>Gross/Net Weight</b>	17.95kg (12.75kg)

\* Listed resolutions are only selectable options. It does not mean that all streams can work at their maximum resolution at the same time.

# MoviSight

## DIMENSIONS (Unit: mm)



## ACCESSORIES



DF20Y  
Wall Mount

## OPTIONAL



A37  
Installation Adapter



A38  
Ceiling Mount



DF21Y  
Pendant Mount



A36  
Pole Mount



A35  
Corner Mount



811  
Junction Box

DISTRIBUTED BY