

MoviSight

MS-7IPR8080HDAN-Z

8 MP IR Motorized Varifocal Turret Network Camera

Key Features

- 1/2.8" progressive scan CMOS
- Max. 8MP(3840 × 2160) @25/30 fps resolution
- 2.7 to 13.5 mm motorized lens
- True WDR, 3D DNR, ROI, HLC, BLC, Defog
- Support face, human, vehicle detection and capture
- Intelligent analytics: intrusion, single line crossing, double line crossing, loitering, wrong-way, people counting
- 1/1 audio in/out, 1/1 alarm in/out
- Built-in microphone and SD card slot
- Smart IR distance up to 40 m
- IP66



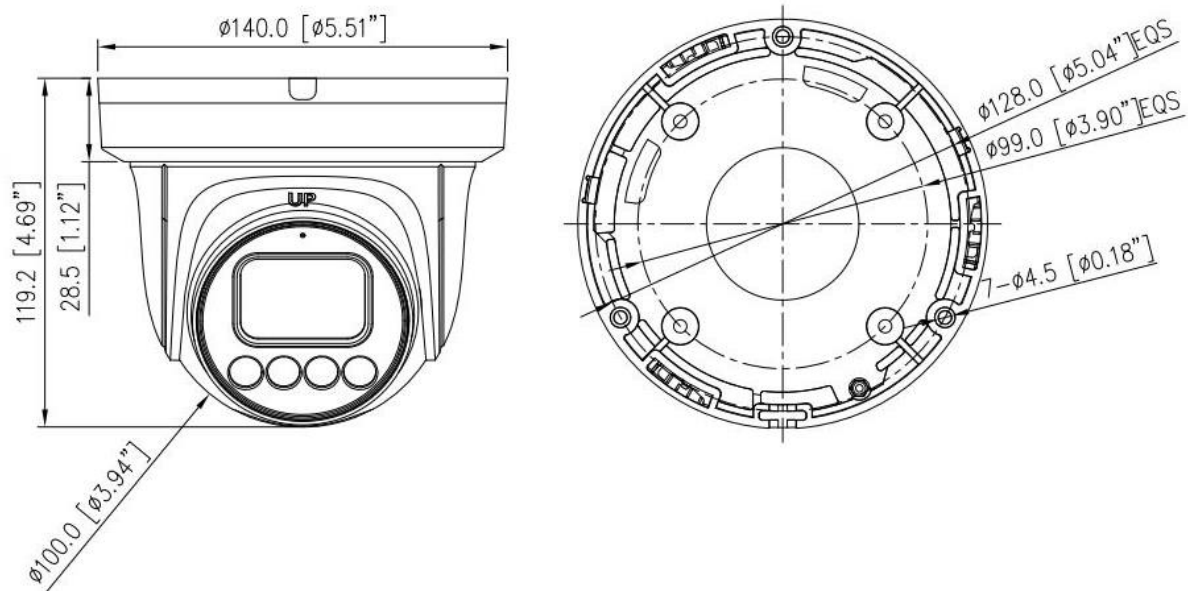
Specification

Camera					
Image Sensor	1/2.8" Progressive Scan CMOS				
Max. Resolution	8MP (3840 × 2160)				
Electronic Shutter	Auto/Manual, 1/5 to 1/20,000 s				
Min. illumination	Color: 0.01 Lux @ (F1.6, AGC ON), B/W: 0 Lux @ (IR LED ON)				
Day & Night	IR cut filter				
Angle Adjustment	Pan: 0° to 355°, Tilt: 0° to 80°, Rotation: 0° to 360°				
Lens					
Lens Type	Motorized focus				
Iris	Fixed Iris				
Focal Length	2.7 to 13.5 mm				
F Number	F1.6				
Angle of View	H: 98.1° to 30.9°, V: 52.6° to 17.3°				
DORI					
DORI Distance	Lens	Detect	Observe	Recognize	Identify
	Wide	88 m (288.7 ft)	35.2 m (115.5 ft)	17.6 m (57.7 ft)	8.8 m (28.9 ft)
	Tele	280 m (918.6 ft)	112 m (367.5 ft)	56 m (183.7 ft)	28 m (91.9 ft)
Illuminator					
Illuminator Type	IR				
Illumination Distance	Up to 40 m (131.2 ft)				
Illumination On/Off Control	Auto/Manual				
Video					
Streaming Capability	3 Streams				
Stream/Frame Rate	Stream1: 3840 × 2160, 2592 × 1944, 2592 × 1520, 2560 × 1440, 2304 × 1296, 1920 × 1080, 1280 × 720 @ 25/30 fps Stream2: D1, VGA, CIF @ 25/30 fps Stream3: VGA, CIF, QVGA @ 25/30 fps				
Bit Rate Control	CBR/VBR				
Bit Rate	Stream1: 200 kbps to 16 Mbps Stream2: 100 kbps to 6 Mbps Stream3: 100 kbps to 3 Mbps				
Region of Interest	Off/On (8 areas, Rectangle)				
Smart Encode	Support				
Audio					
Compression	G.711, RAW_PCM				
Bit Rate	64Kbps (G.711), 128Kbps (RAW_PCM)				
Image					
Image Adjustment	Brightness, Sharpness, Contrast, Saturation adjustable				
Aisle Mode	Support				

Mirror	Support
White Balance	Auto/Manual
Day/Night Setting	Auto, Day, Night, Time
Smart IR	Support
Noise Reduction	2D/3D DNR
Image Enhancement	HLC, BLC, Defog
Wide Dynamic Range	True WDR
S/N Ratio	55dB
Motion Detection	Support
Privacy Masking	4 areas
Smart Function	
Multi-Object Detection	Supports face, human, vehicle detection and capture
Intelligent Analytics	Intrusion, Single line crossing, Double line crossing, Loitering, Wrong-way Support alarm triggering by specified target types (human and vehicle)
People Counting	Support
Network	
Protocols	IPv4/IPv6, 802.1x, HTTP, HTTPS, TCP/IP, UDP/IP, RTSP, DHCP, NTP, RTCP/RTP, PPPoE, SMTP, DNS, UPnP, FTP, ARP, SNMP, TLS/SSL
Interoperability	ONVIF, SDK, CGI
Streaming Method	Multicast
Max. User Access	10 Users
Web Viewer	<IE11, Chrome, Firefox, Microsoft Edge
Language	English, Chinese, Polish, Italian, Portuguese, Spanish, Russian, French, Czech, Hungarian. Default: English
Interface	
Network Interface	1 Ethernet (10/100 Base-T) RJ-45 Connector
Built-in Microphone	Support
Audio Interface	1ch Input, 1ch Output
Alarm Interface	1ch Input, 1ch Output
Reset Button	Support
SD Card Slot	Built-in, up to 256GB
Electrical	
Power Supply	DC12V (-15% to +25%)/PoE (IEEE 802.3af)
Power Consumption	Max 9 W
Operating Temperature	-40°C to 55°C (-40°F to 131°F)
Operating Humidity	Less than 90% RH
Ingress Protection	IP66
Certifications	CE/FCC
Casing	Metal + Plastic
Dimensions	φ140 × 119.2 mm (5.51 × 4.69 inch)
Net Weight	0.9 kg (1.98 lb)

MoviSight

Dimensions (mm)



Accessories

Optional:



MS-7CBK645D
Junction Box



MS-7CBK206
Pendant Cap



MS-7CBK402
Pendant Mount



MS-7CBK501
Wall Mount



MS-7CBK502
Wall Mount



MS-7CBK101
Pole Mount



MS-7CBK102
Corner Mount