

MS-7IPV8088ECAR-B

12MP Fisheye Network Camera

Key Features

- 1/1.7" 12MP STARVIS™ CMOS
- 25fps @ 12MP(4000×3000)
- Multi Dewarping modes and front end image correction
- Support human and vehicle detection
- Intelligent analysis: intrusion, single line crossing, double line crossing, loitering, wrong-way, people counting, smart motion detection and heat map
- DWDR, 3D DNR, ROI, Defog, HLC
- Built-in microphone
- Smart IR distance up to 15 m
- IP66



Specification

Camera				
Image Sensor	1/1.7" Progressive Scan CMOS			
Max. Resolution	4000(H) × 3000(V)			
Electronic Shutter	Auto/Manual, 1/5 to 1/20,000s			
Min. illumination	Color: 0.01 Lux @ (F2.4, AGC ON) , B/W: 0 Lux with IR			
Day & Night	Auto (ICR)			
IR Distance	Up to 15 m (49.2 ft.)			
IR On/Off Control	Auto/ Manual			
Lens				
Lens Type	Fixed Lens			
Iris	Fixed Iris			
Focal Length	1.8 mm			
F Number	F2.4			
Angle of View	180° × 180°			
DORI Distance				
Lens	Detect	Observe	Recognize	Identify
1.8mm	34.5m (113.2ft)	13.8m (45.3ft)	6.9m (22.6ft)	3.45m (11.3ft)
Video				
Streaming Capability	2 Streams			
Main Stream	One-Channel: 25fps Fisheye View: 4000×3000, 3000×3000, 2560×2560, 1280×960 180 Panorama View: 3000×752, 2560×640, 1920×480, 1280×960 360 Panorama View: 4000×2000, 2560×1280, 1920×960, 1280×960 4PTZ View: 4000×3000, 2048×1536, 1920×1440, 1280×960 Fisheye + 3PTZ View: 4000×3000, 2048×1536, 1920×1440, 1280×960 Multi-Channel: 1520×1520, 960×960, 720×720, 640×640 @25fps			
Sub Stream	One-Channel: 25fps Fisheye View: D1, 640×640, 480×480 180 Panorama View: 832×208, D1 360 Panorama View: 640×320, D1 4PTZ View: 640×480, D1, 320×240 Fisheye + 3PTZ View: 640×480, D1, 320×240 Multi-Channel: D1, 640×640 @25fps			
Bit Rate Control	CBR/VBR			
Bit Rate	One-Channel: Stream1: 500Kbps to 16Mbps Stream2: 100Kbps to 6Mbps Multi-Channel: Stream1: 500Kbps to 12Mbps Stream2: 100Kbps to 6Mbps			
Smart Encoder	Support			

MoviSight

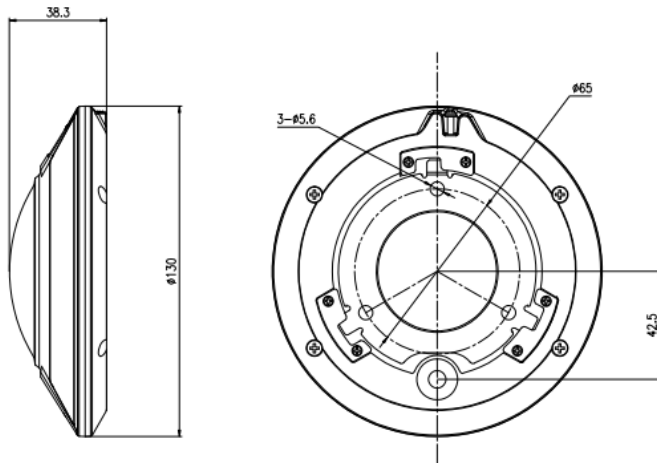
Region of Interest (ROI)	Support (Single-channel and fisheye mode)
Audio	
Compression	G.711A, G711U, RAW_PCM
Bit Rate	64Kbps (G.711), 128Kbps (RAW_PCM)
Image	
Image Adjustment	Brightness, Sharpness, Contrast, Saturation adjustable
White Balance	Auto/Manual
Day/Night Setting	Auto, Day, Night, Time
Smart IR	Support
Noise Reduction	2D/3D DNR
Image Enhancement	HLC, BLC, Defog
Wide Dynamic Range	DWDR
S/N Ratio	55dB
Motion Detection	Support
Privacy Masking	Support (Single-channel and fisheye mode)
Smart Function	
Multi-Object Detection	Supports human and vehicle detection
Intelligent Analysis	Intrusion, Single line crossing, Double line crossing, Loitering, Wrong-way, Smart motion detection. (Support available only in single-channel mode) Support alarm triggering by specified target types (human and vehicle).
People Counting	Support
Heat Map	Support
Fisheye Display	
Mount Type	Ceiling Mount, Wall Mount, Table Mount
Decoding Mode	On-board Dewarping/Client-side Dewarping
Display Mode	12 display modes in total Client-side Dewarping: fisheye view, fisheye view + 3PTZ, fisheye view + 8PTZ, 4PTZ, cylinder, 180 panorama view, 360 panorama view, 360 panorama + PTZ, 360 panorama + 3PTZ, 360 panorama + 6PTZ, 360 panorama + 8PTZ, half sphere On-board Dewarping: Fisheye view, 360 panorama view, 4PTZ, 180 panorama view, fisheye + 3PTZ
Network	
Protocols	IPv4/IPv6, TCP/IP, HTTP, HTTPS, UPnP, UDP/IP, RTSP/RTCP/RTP, IGMP/Multicast, SMTP, DHCP, NTP, DNS, QoS, SNMP, 802.1x, UDP, ICMP, ARP, TLS
Interoperability	ONVIF, SDK
Streaming Method	Multicast
Max. User Access	10 Users
Web Viewer	<IE11, Chrome, Firefox
Language	English, Chinese, Polish, Italian, Portuguese, Spanish, Russian, French, Czech, Hungarian. Default: English

MoviSight

Interface	
Network Interface	1 Ethernet (10/100 Base-T) RJ-45 Connector
Built-in Microphone	Support
Audio Interface	1ch Input, 1ch Output
Alarm Interface	1ch Input, 1ch Output
Reset Button	Support
SD Card Slot	Built-in, up to 1TB
Electrical	
Power Supply	DC12V (-15% to +20%)/PoE (IEEE 802.3af)
Power Consumption	Max 9 W
Operating Temperature	-30°C to 60°C (-22°F to 140°F)
Operating Humidity	Less than 90% RH
Ingress Protection	IP66
Certifications	CE/FCC
Casing	Metal
Dimensions	Φ 130 × 38.3 mm (Φ5.12" × 1.51")
Net Weight	0.5 kg (1.10 lb.)

MoviSight

Dimensions (mm)



Accessories

Optional:



MS-7CBK645E
Junction Box



MS-7CBK201A
Pendant Cap



MS-7CBK402
Pendant Mount



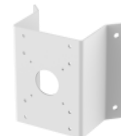
MS-7CBK501
Wall Mount



MS-7CBK502
Wall Mount



MS-7CBK101
Pole Mount



MS-7CBK102
Corner Mount